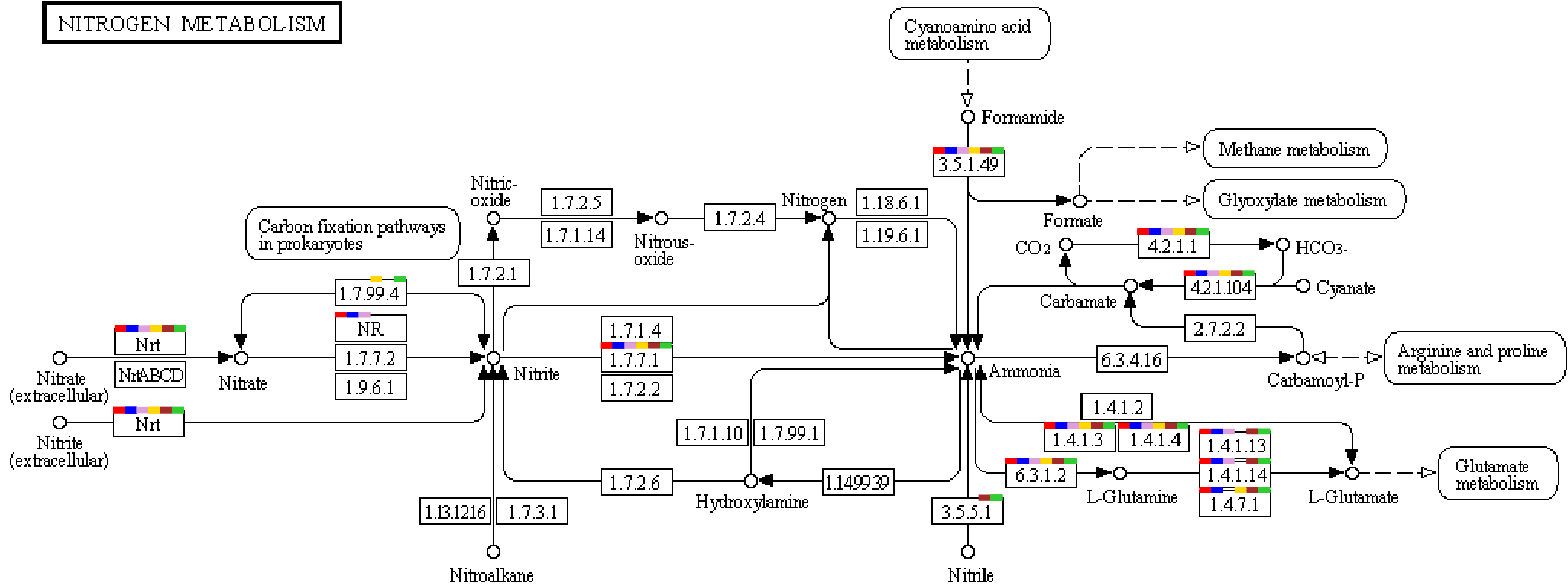
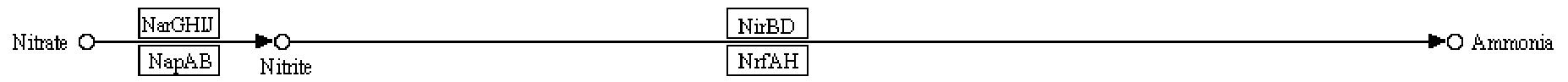


# NITROGEN METABOLISM



Oxidation state      +5                      +3                      +2                      +1                      0                      -1                      -2                      -3

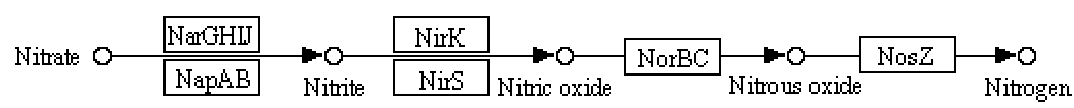
## Dissimilatory nitrate reduction



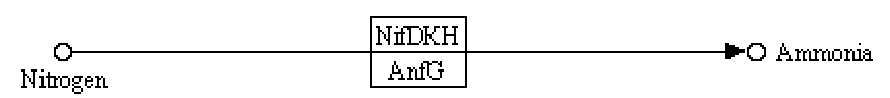
## Assimilatory nitrate reduction



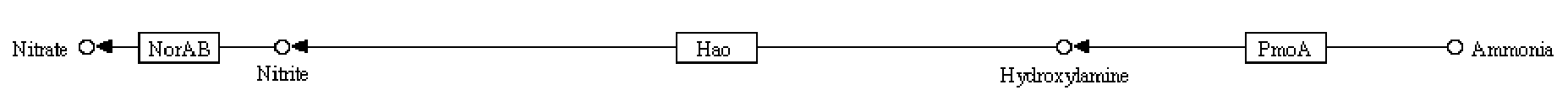
## Denitrification



## Nitrogen fixation



## Nitrification



## Anammox

