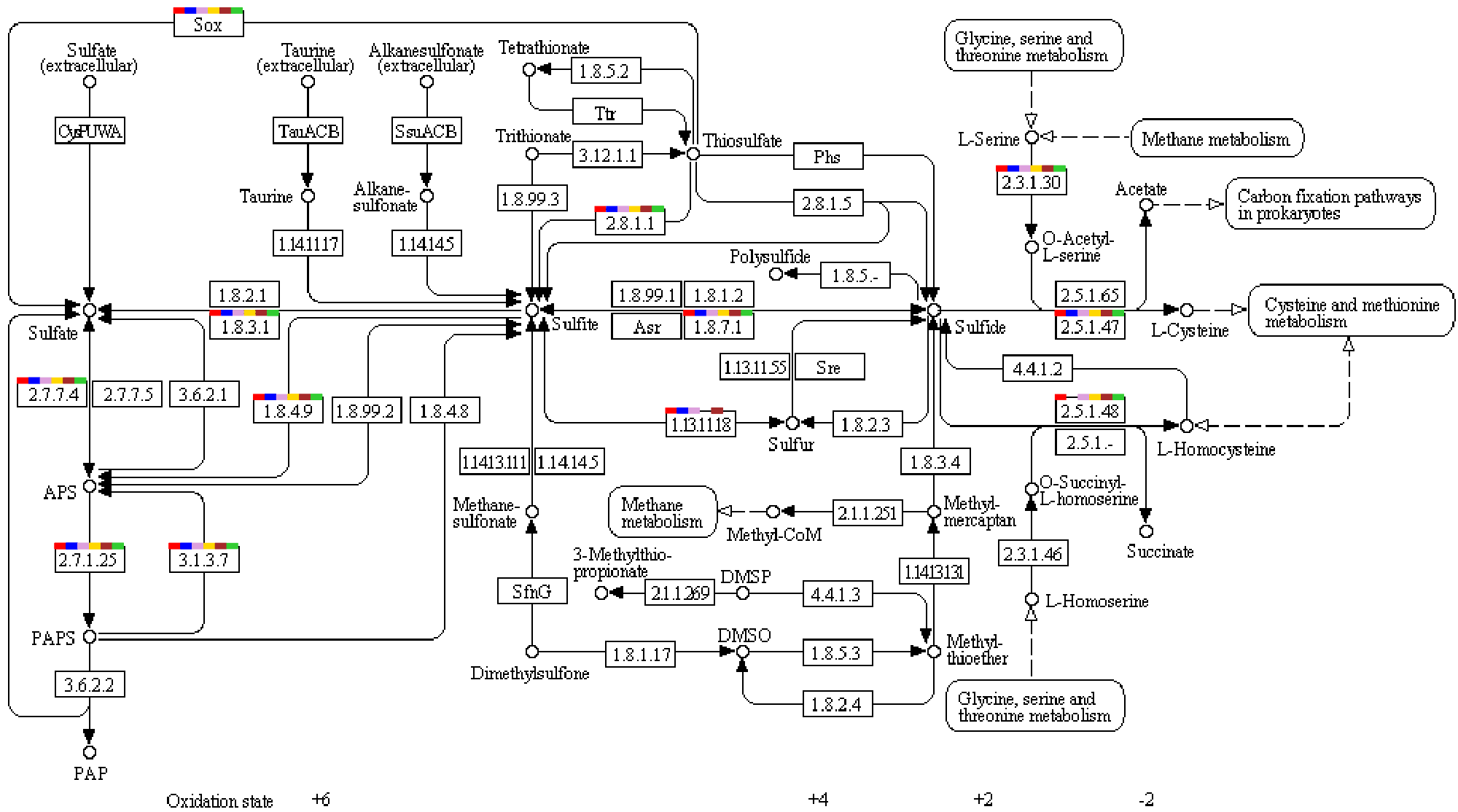
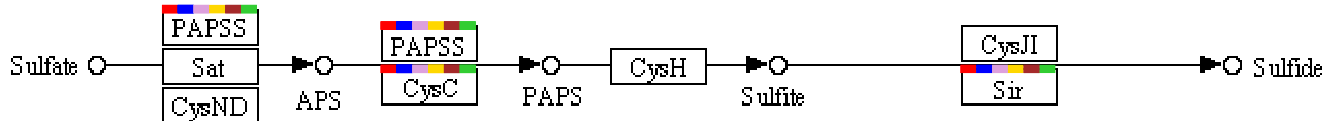


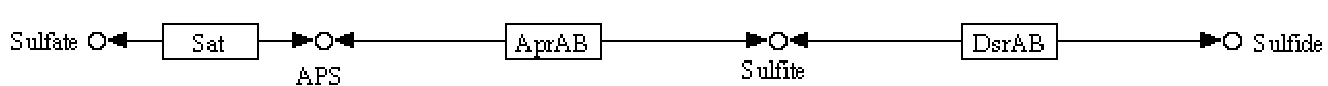
# SULFUR METABOLISM



## Assimilatory sulfate reduction



## Dissimilatory sulfate reduction and oxidation



## SOX system

