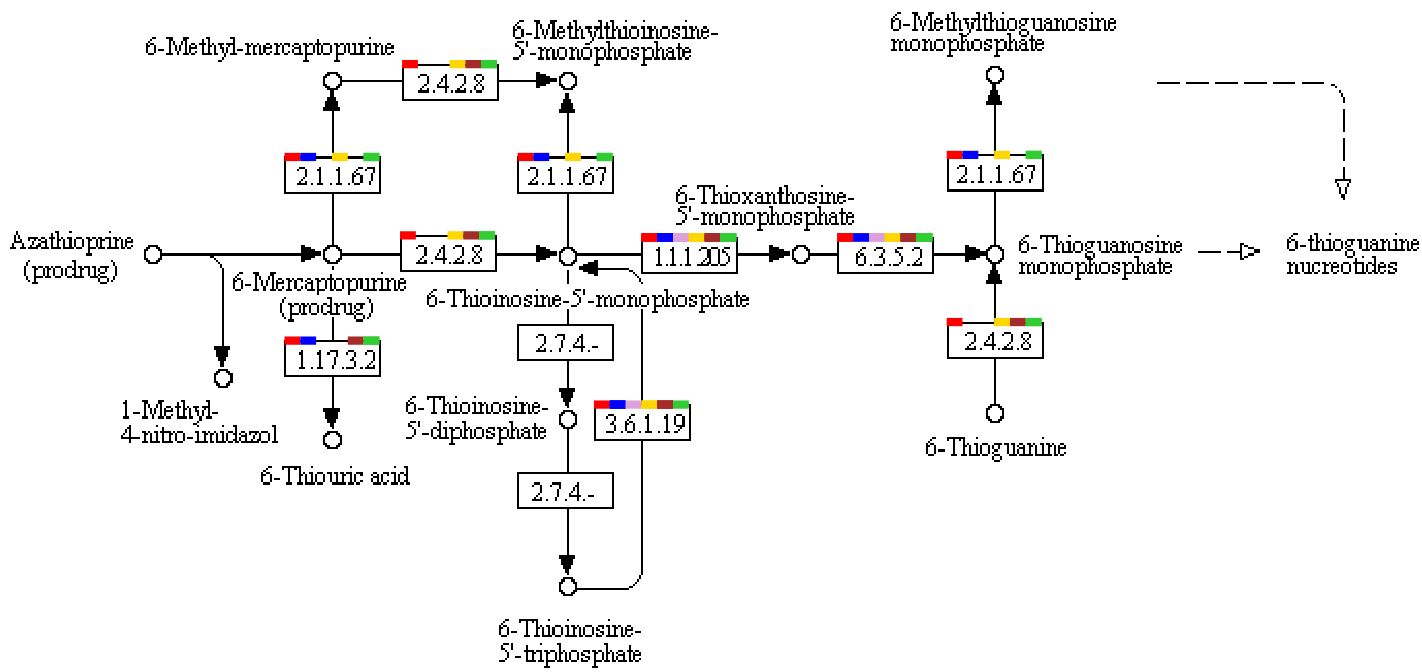
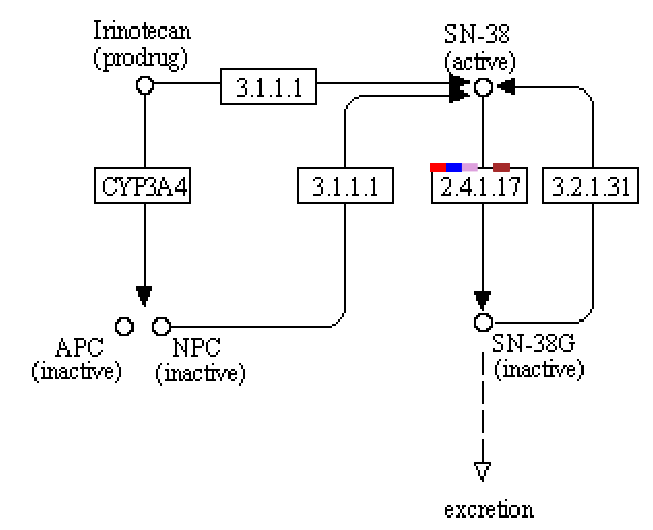


**DRUG METABOLISM - OTHER ENZYMES**

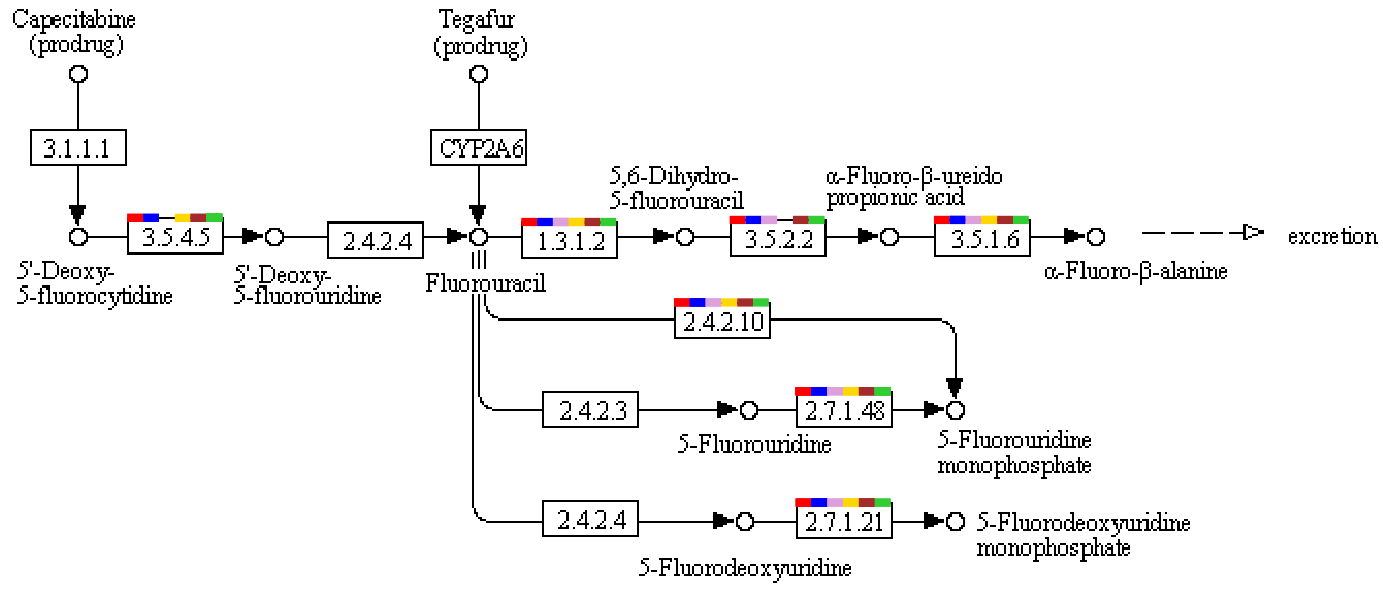
**Azathioprine & 6-Mercaptopurine**



**Irinotecan**



**Fluorouracil**



**Isoniazid**

